



PRM transfer lift

The first complete solution
for boarding disabled air
Travelers.

A BIG STEP FORWARD FOR PASSENGERS WITH A DISABILITY

1. SAFETY AND RESPECT FOR THE DISABLED TRAVELER.

A safe and dignified way to help PRM passengers into their aircraft seat, without undesirable manual lifting and the risk of injury for both the passenger and airport service personnel.

2. RELIEVING FROM REPETITIVE STRENUOUS MANUAL LIFTING.

No more repetitive and heavy manual lifting of PRM passengers. A professional appearance for the airport and the airlines, and better and safer working conditions for airport service personnel, resulting in less sick leave.

3. BOARDING TIME EFFICIENCY.

The PRM Transfer Lift is designed for quick transport around the airport, and fast and easy usage in all major aircraft types. No additional time loss on aircraft boarding times.



we move people



FAST TRANSFER THROUGH THE AIRCRAFT CABIN

The PRM Transfer Lift is developed to lift and transfer a PRM passenger (Person with Reduced Mobility), who needs full assistance, in and out of any aircraft seat. This will greatly reduce the need to have PRM passengers lifted manually by airport service personnel.

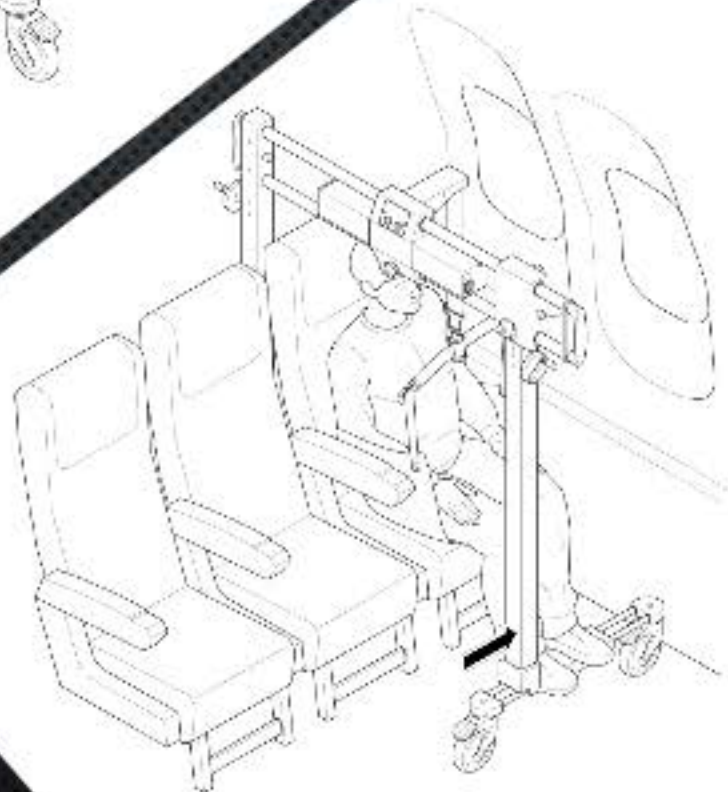
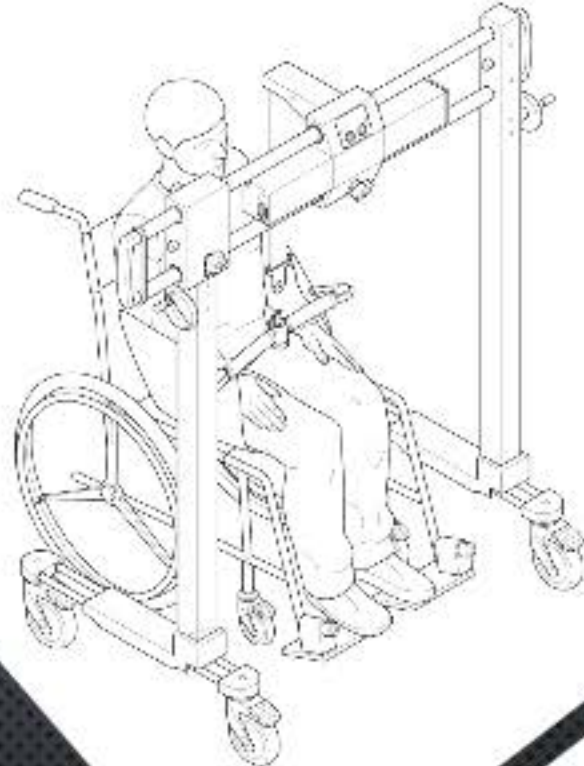
Disabled travelers are manually lifted into and out of aircraft seats around the world, resulting in sick leave for service personnel, and a hazardous and undignified travel experience for the passenger.

A complete solution to help board and deboard Class C PRM passengers fast, dignified and without any manual lifting, resulting in less sick leave for personnel, a professional appearance for airport and airline, and no additional boarding time-loss

ANY AIRCRAFT SEAT ACCESSIBLE WITH THE PRM TRANSFER LIFT

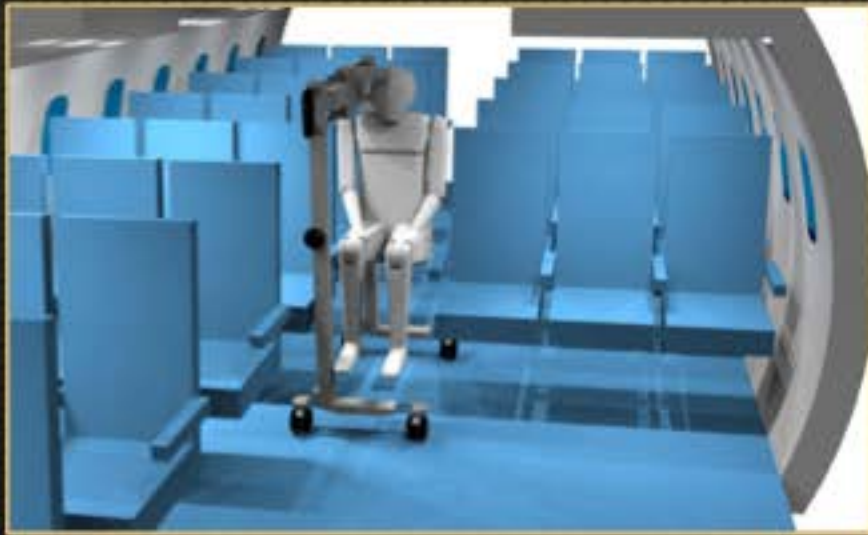
Almost any aircraft seat is accessible with the Special Mobility PRM Transfer Lift. Adjustable to any seat pitch, the PRM Transfer Lift can seat passengers up to the window seat and in most business class seats, in any standard aircraft cabin.

There is no need for the aisle wheelchair, the passenger is lifted directly out of the wheelchair and transferred into the aircraft via the Aviobridge or Ambulift.



we move people





Contact

☎ 866-EMOBBY4U

866-366-2294

🌐 aviationmobilitysolutions.com

@ info@aviationmobilitysolutions.com

